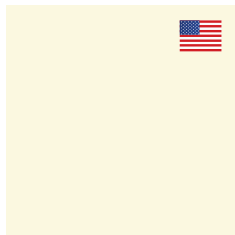




# GERFLOR SPM WALL | DECOCLEAN

Gerflor USA's SPM Wall Decoclean Collection provides resilient homogeneous wall protection focused on decontamination and infection prevention. Ideal for healthcare, cleanrooms, controlled environments, labs, intensive care units, sterile environments, and more.



0001 Chalk  
Color Sampled & USA Stocked



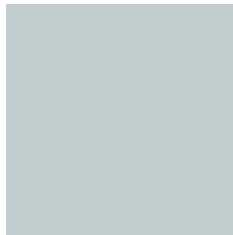
0006 Ivory



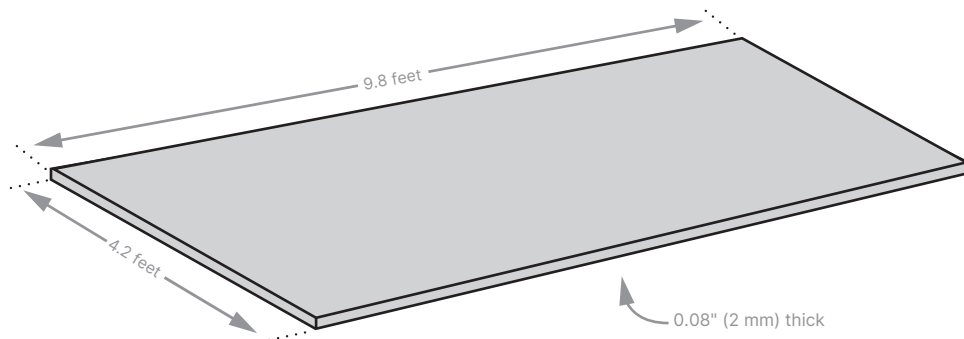
0004 Granite



0007 Wicker



0011 Pebble



- ▶ **Description:** 0.08" (2 mm) thick, rigid, non-porous, antibacterial homogeneous resilient wall panels with smooth surface.
- ▶ **Hygienic:** Meets ISO 14644-1 ISO 5 Cleanroom requirements, 100% antibacterial. Sterile environments: Can be welded to floors for a continuous floor-to-ceiling watertight room.
- ▶ **Low Maintenance:** Chemical resistant, durable, easy to install. Delivered with a peel-off protective film to avoid having to do a systematic cleaning after installation.
- ▶ **Sustainable:** REACH-compliant, GREENGUARD certified, low VOC, 100% recyclable, phthalates-free, non-polluting / non-toxic materials, no heavy metals.

